



Above images were taken using genuine Star-Tron® Night Vision Products (MK-880 Camera Kit) and a Nikon D2 Digital SLR Camera.

AN/PVS-27 MUNS™
MIL-SPC Gen 3 Auto-Gated Pinnacle
NSN: 5855-01-547-9489
P/N: 55837

AN/PVS-27 Magnum Universal Night Sight™ (MUNS™)

The AN/PVS-27 Magnum Universal Night Sight™ (MUNS™) is a high-resolution clip-on night vision weapon sight that mounts on any MIL-STD-1913 rail interface forward of an existing scope, adding night vision capabilities to daytime target acquisition platforms. The Magnum Universal Night Sight™ (MUNS™) utilizes a full MIL-SPEC Gen 3 (autogated pinnacle) image intensifier tube, an extremely fast f/1.0 catadioptric lens for a brighter and sharper image in starlight, and patented permanent boresight alignment technology. The MUNS™ gathers twice as much light as the AN/PVS-22 Universal Night Sight™ (UNS™) and can be used against targets at 1.5 times the range of the AN/PVS-22. The unit is installed, operated, and removed without tools and without affecting boresight (permanent boresight alignment). The unit can be mounted on a spotting scope for long range reconnaissance, hand-held as a Night Observation Device (NOD), or used in other night-time operations requiring night vision capabilities. Optimized for medium- & long-range sniper weapons including the XM107, MK11, .338 Lapua, .308 M24, Chandler, 300 Win Mag & McMillan Brothers Bolt Action Rifle.

System Specifications

Boresight Characteristics

Accuracy:	Factory Aligned to ½ MOA or Better
Retention:	Permanent to w/in 1 MOA or Better
Adjustments:	None
Repeatability:	Within ½ MOA

System Characteristics

Magnification:	Unity
Optimum Dayscope Magnification:	3X - 20X
Field of View:	10°
Focus Range:	15 meters to Infinity
Image Intensifier Gain:	1,000 - 75,000

Performance

Resolution (Minimum):	4.2 cy/mr
Resolution (Typical):	5.0 cy/mr

Facial ID Ranges

Starlight, Low Contrast:	100 m
Starlight, Optimum Contrast:	140 m
¼ Moonlight, Low Contrast:	140 m
¼ Moonlight, Optimum Contrast:	180 m

Man Detection Ranges

Starlight, Low Contrast:	970 m
Starlight, Optimum Contrast:	1350 m
¼ Moonlight, Low Contrast:	1380 m
¼ Moonlight, Optimum Contrast:	1730 m

Optical Characteristics

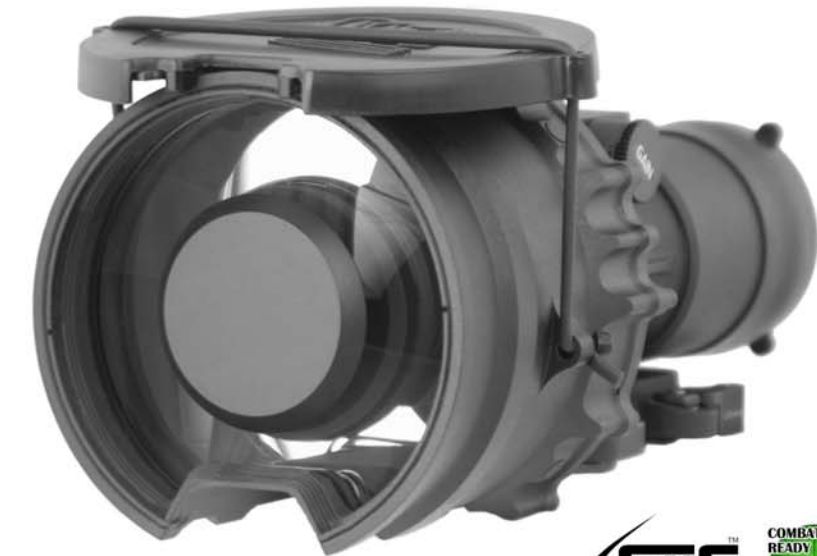
Objective Lens Focal Length:	92 mm
Objective Lens f/Number:	f/1.0
Output Optic Exit Pupil Diameter:	40 mm

Physical Characteristics

Shock Mitigation System™	SMS™
Controls:	On/Off/Gain, Focus
Batteries:	2 AA
Operating Temperature: -	-30° to +60° C
Submersion:	33 ft.
Length:	8.7 in.
Max Height Above Rail:	3.75 in.
Weight (w/o batteries):	50 oz.

Interface to MIL-STD-1913:

LaRue Adjustable Double Locking Lever Mount



AN/PVS-27 MUNS™
 shown on Barrett .50 Caliber Sniper



Detect a Vehicle:
 In Starlight up to **3150** meters
 In ¼ Moonlight up to **4070** meters

Detect a Man:
 In Starlight up to **1350** meters
 In ¼ Moonlight up to **1730** meters

OST OPTICAL SYSTEMS TECHNOLOGY
STAR-TRON® NIGHT VISION PRODUCTS



A member of the...
OMNITECH PARTNERS GROUP

Contact Information:

IRON BRIGADE ARMORY
 100 RADCLIFFE CIRCLE
 JACKSONVILLE NC 28546
 SALES@IRONBRIGADEARMORY.COM
 910.455.3834 PHONE
 910.219.0013 FAX